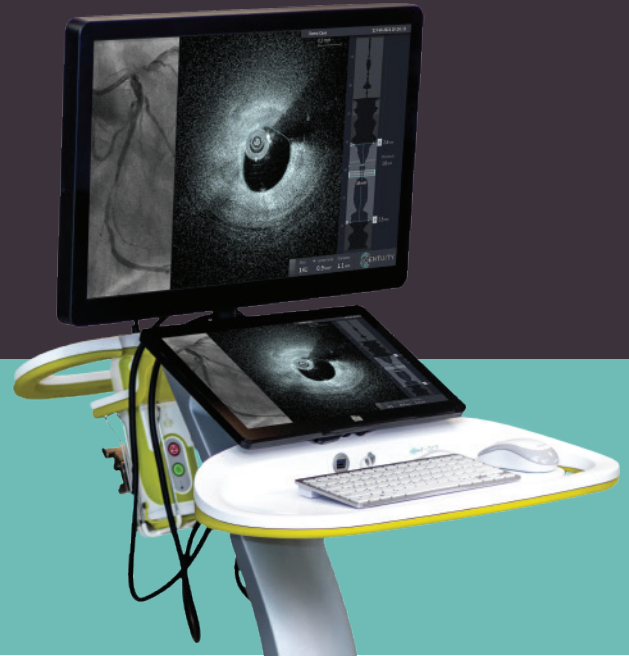
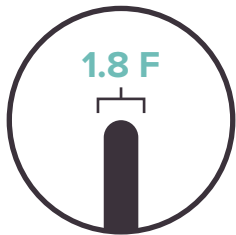


# Extraordinary planning insights delivered by the world's smallest imaging catheter



## Gentuity® High-Frequency OCT Imaging System

Powered by a host of cutting-edge features, the Gentuity HF-OCT Imaging System makes pre-procedure imaging faster, easier and more powerful than ever.



### World's Smallest Imaging Catheter

for accessing and clearing the most challenging lesions

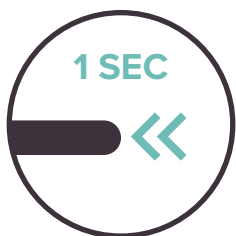
The Vis-Rx Micro-Imaging catheter crossing profile is less than half the size of other intravascular imaging catheters and is indicated to image vessels as small as 1.3 mm and up to 6.0 mm. With such a small catheter, you're better able to image tight lesions and get clearing without having to pre-dilate, saving you time and avoiding the risk of disrupting a lesion before you have decided how to treat it.



### Total Vessel Imaging

for imaging the entire coronary artery in a single pullback

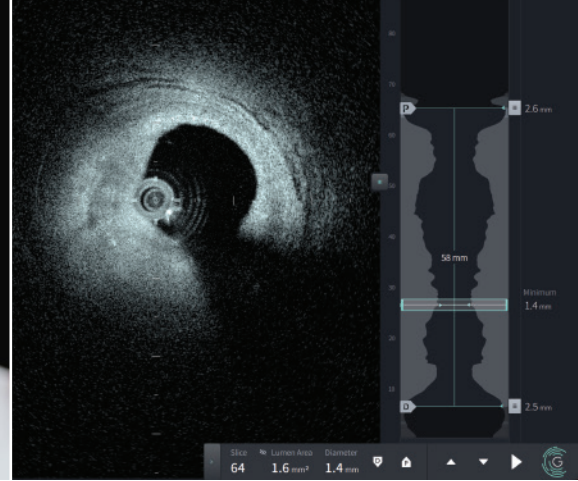
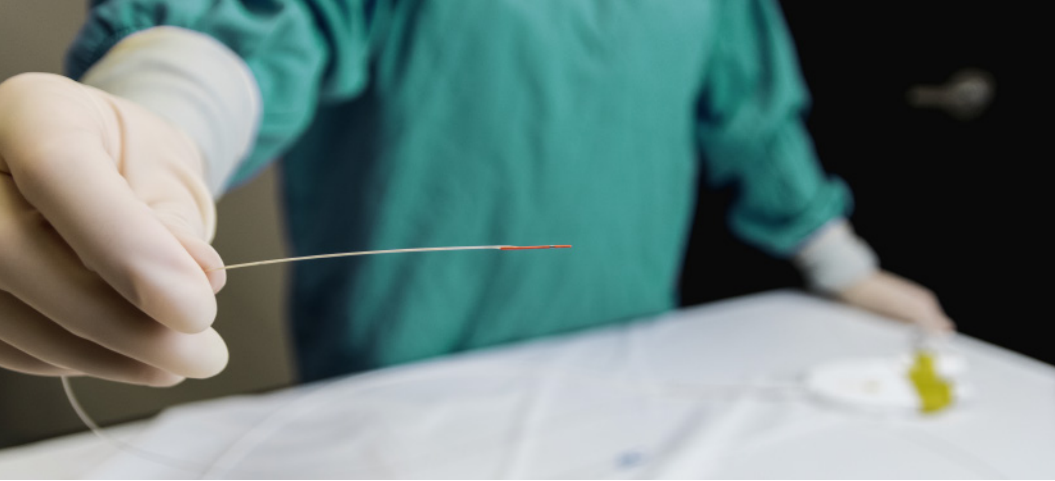
The Vis-Rx Micro-Imaging catheter can image up to 100mm, 33% longer than other OCT systems available. This allows you to image the whole coronary artery in one single pullback.



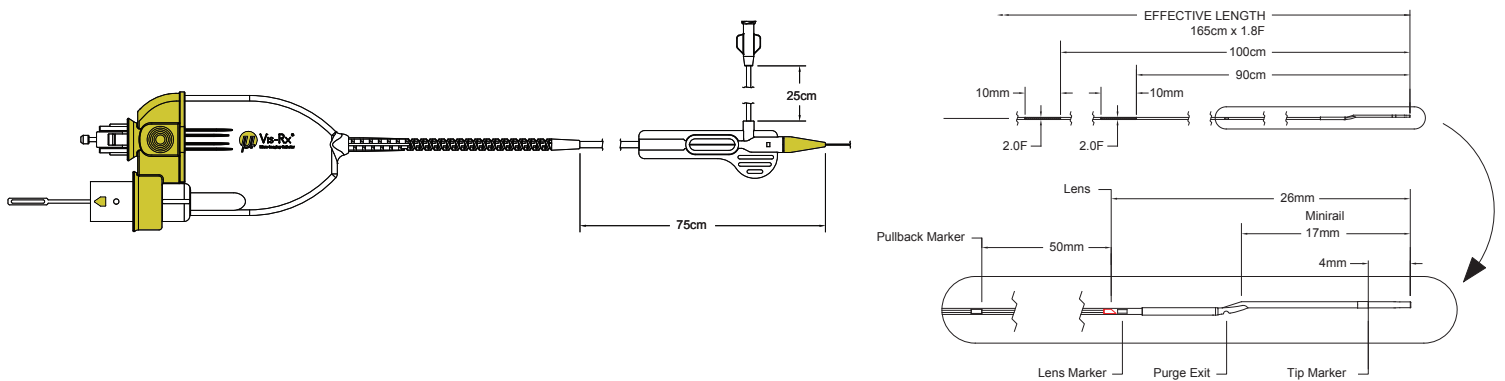
### Fastest Pullback Speed

for One Second Imaging™

The Gentuity HF-OCT Imaging System state-of-the-art laser allows images to be captured quickly and accurately offering you insights in just one second.



## Discover how the world's smallest imaging catheter can deliver massive pre-intervention insights



## Need more information?

### Product inquiries:

Gentuity LLC  
 +1 888.967.7628  
 info@gentuity.com  
 www.gentuity.com

### Sales inquiries:

Nipro Medical Corporation  
 +1 908.393.7030  
 info@nipromed.com  
 www.nipro.com

## ORDERING INFORMATION

Code	Description
G10-01	<b>Gentuity HF-OCT Imaging System</b> Gentuity High-Frequency OCT Imaging Console with dedicated application software for high-resolution intracoronary imaging.
G30-01	<b>Vis-Rx Micro-Imaging Catheter</b> 1.8F rapid exchange micro-imaging HF-OCT catheter indicated for coronary imaging. Kit includes sterile, single-use catheter with 165 cm working length, Merit 3cc purge syringe, English IFU. Operates exclusively with the Gentuity HF-OCT Imaging System.



**Manufactured by:**  
 Gentuity LLC  
 142 North Road, Suite G  
 Sudbury, MA 01776-1142

**Distributed by:**  
 Nipro Medical Corporation  
 200 Crossing Boulevard  
 Bridgewater, NJ 08807

**For inquiries, contact Nipro:**  
 +1 908.393.7030  
 info@nipromed.com  
 www.nipro.com

